



# TYPE "B" SINGLE STAGE CENTRIFUGAL PUMP Bearing Frame Mount

Section	FM
Page	260.1
Date	January 1, 2004
Supersedes 12/1/95	

**CAST IRON IMPELLER**

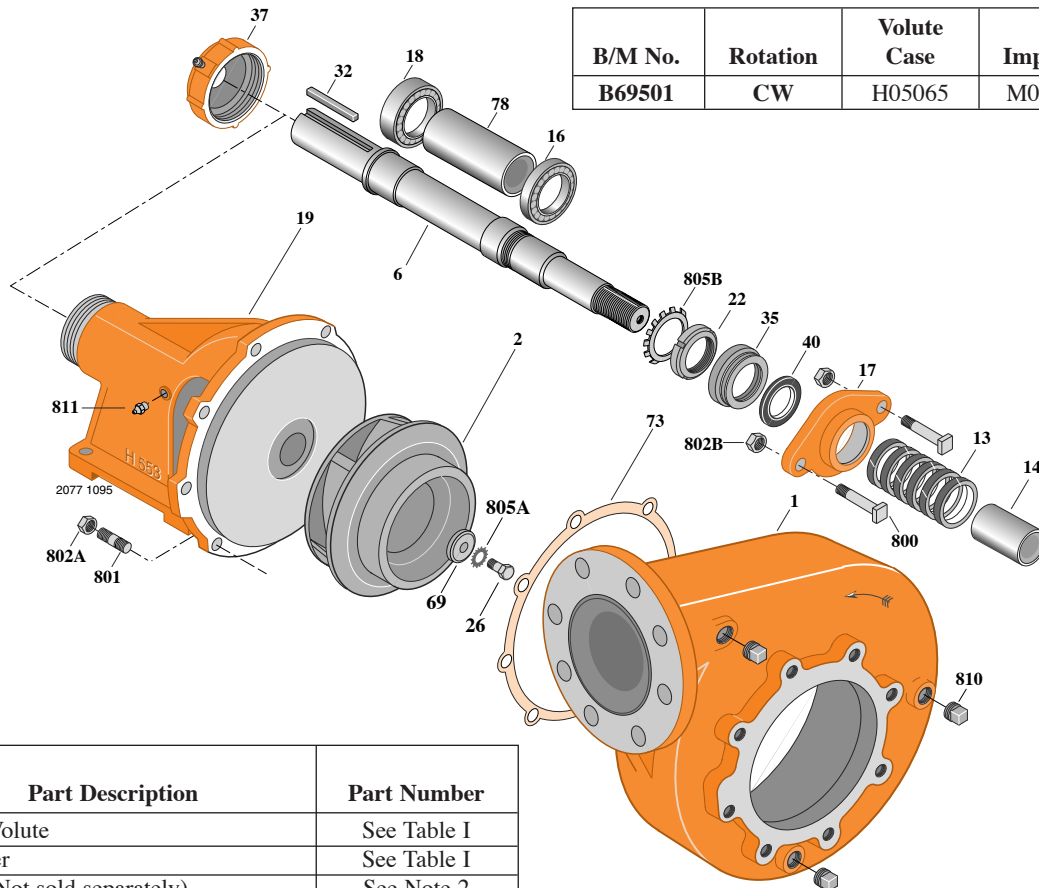
**B6ZRH**

**Flanged Case**

**Packing Construction**

**TABLE I**

B/M No.	Rotation	Volute Case	Impeller	Impeller Diameter
B69501	CW	H05065	M04186	8" x 9"



Item No.	Part Description	Part Number
1	Case, Volute	See Table I
2	Impeller	See Table I
6	Shaft (Not sold separately)	See Note 2
13	Ring, Packing (Set of 6)	S14022
14	Sleeve, Shaft	S05127
16	Bearing, Ball	S13270
17	Gland, Packing (See Note 1)	S04948
18	Bearing, Ball	S13271
19	Frame	H00553
22	Locknut	M10221
26	Screw, Impeller 3/8-16x1-3/4"	S23572
32	Key, 1/4x2-1/8"	S24255
35	Inner Bearing Cap	S19033
37	Outer Bearing Cap Assembly*	S19914
40	Slinger, Water	S12260
69	Washer, Impeller	S06314
73	Gasket, Volute	S05126
78	Sleeve, Spacer	S08980
800	Bolt, Sq. Head 3/8-16x2-1/2" (2 Req.)	S23762
801	Stud, 3/8-16x1-1/4" (8 Req.)	S23994

Item No.	Part Description	Part Number
802A	Nut, Hex 3/8-16 (8 Req.)	S23103
802B	Nut, Hex 3/8-16 (2 Req.)	S23343
805A	Washer, Lock	S23036
805B	Washer, Bearing Lock	S16181
810	Plug, Pipe 1/2 NPT (3 Req.)	S23717
811	Fitting, Grease	S23670

1. A two piece (split) stainless steel packing gland is available for replacement, order part number **B82468**.
2. **Shaft Replacement Kit** available for this model. Berkeley part number **B07480**. Pump Shaft sold in shaft replacement kit only.

\* Includes grease fitting and set screw.