

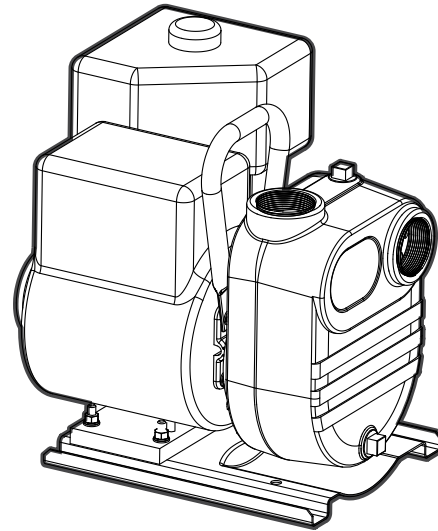
CENTRIFUGAL PUMPS

GAS ENGINE FBSGF



FEATURES

- Volute: Cast iron rugged construction with tapped openings for priming, venting and draining.
- Impeller: Semi-open cast iron with “blind hole” for engine shaft protection.
- Mechanical Seal: Standard carbon/ceramic faces, FKM elastomers, 300 series stainless components.
- Engine: Industry recognized Briggs & Stratton, or Honda equipped with adjustable throttle controls.
- Mounting: Horizontal position.



SPECIFICATIONS

- Capacities to 298 gpm
- Heads to 112 feet
- 120 psi max working pressure
- 200 °F maximum temperature
- Clockwise rotation when viewed from engine side
- NPT pipe connections

Model (CC)	Discharge	Suction
118, 127, 160, 205	2"	2"
270	3"	3"

APPLICATIONS

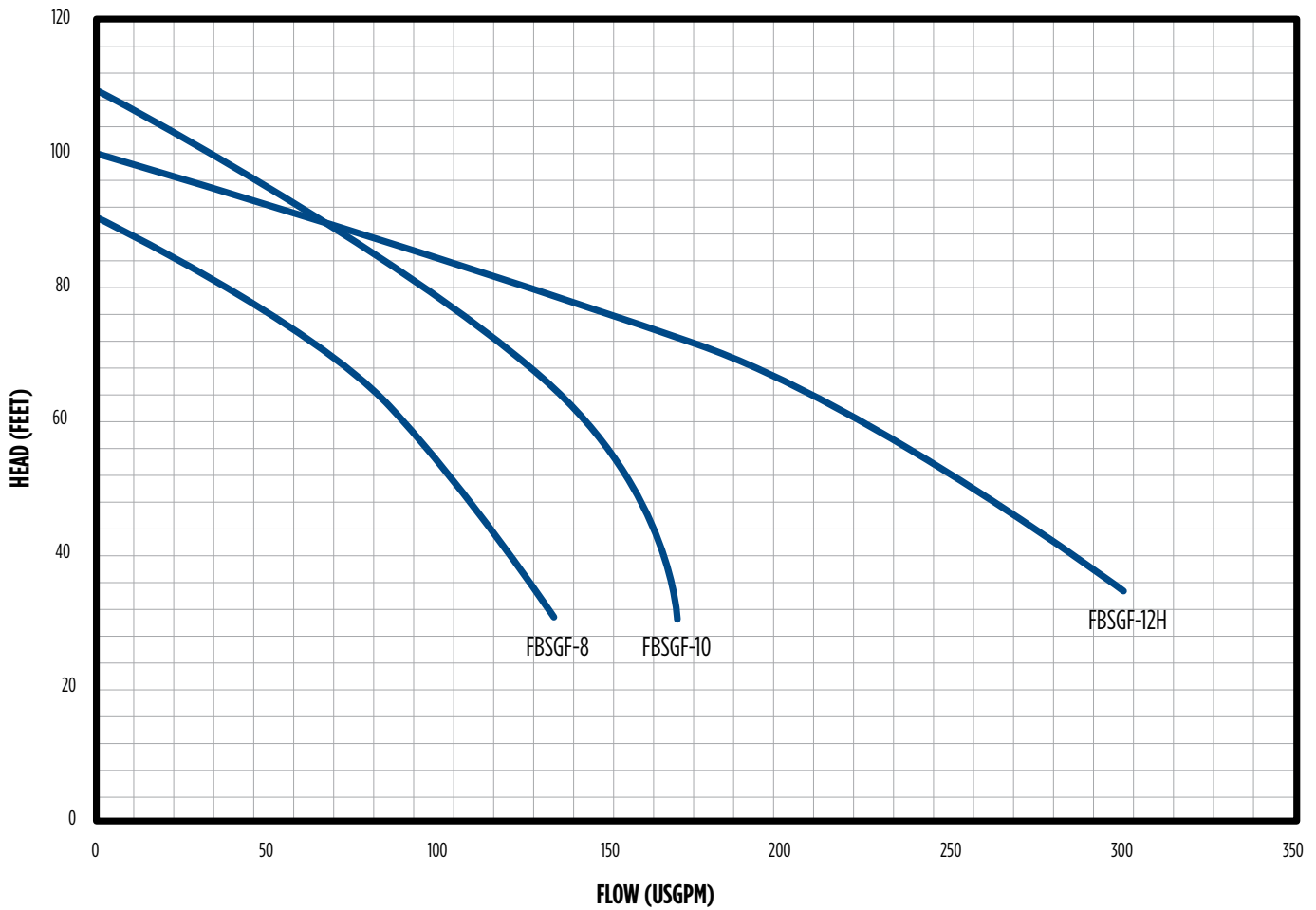
- Irrigation
- Construction
- Mining
- Commercial
- Municipal
- Light Industrial

CENTRIFUGAL PUMPS

GAS ENGINE FBSGF



PERFORMANCE



Model	Performance Chart							
	Total Head in Feet							
	30	40	50	60	70	80	90	100
	Capacities in U.S. GPM							
FBSGF-8	135	120	105	85	65	37	-	-
FBSGF-10	170	165	155	140	118	95	65	30
FBSGF-12H	310	285	255	220	175	120	60	-

ORDERING INFORMATION

Pump Size (Dis x Suc)	CC	Starting	Model Description	Engine Description	Order Number	Low-Oil Shut-Off	Weight
2" x 2"	127cc	Recoil	FBSGF-8	Briggs & Stratton, with 3 qt. fuel tank	90271008	No	65
	118cc	Recoil	FBSGF-8H	Honda, with 3 qt. fuel tank	90271108	Yes	65
	205cc	Recoil	FBSGF-10	Briggs & Stratton INTEK, with 3 qt. fuel tank	90271010	No	74
	160cc	Recoil	FBSGF-10H	Honda, with 4 qt. fuel tank	90271110	No	74
3" x 3"	270cc	Recoil	FBSGF-12H	Honda, with 6 qt. fuel tank	90271112	Yes	110

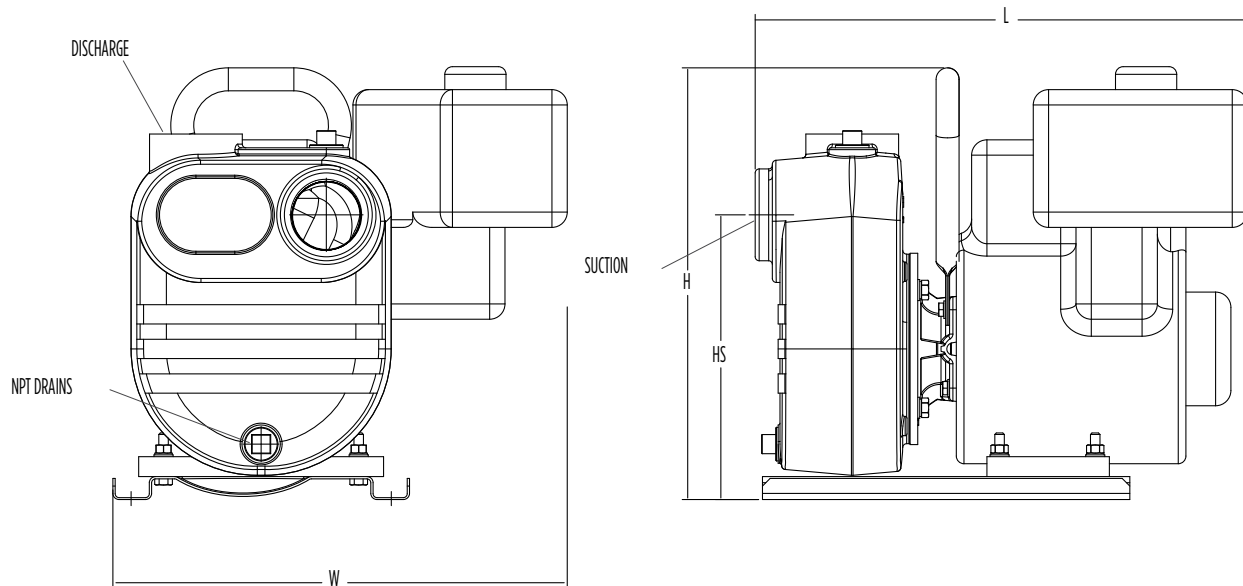
NOTE: All weight in pounds.

CENTRIFUGAL PUMPS

GAS ENGINE FBSGF



DIMENSIONS



Model	Suction	Discharge	L	W	H	HS
FBSGF-8	2	2	15.25	13.25	14.00	9.25
FBSGF-8H	2	2	16.16	13.25	14.10	9.27
FBSGF-10	2	2	16.69	15.75	16.00	9.25
FBSGF-10H	2	2	16.43	13.01	13.87	9.27
FBSGF-12H	3	3	21.19	18.50	16.60	11.04

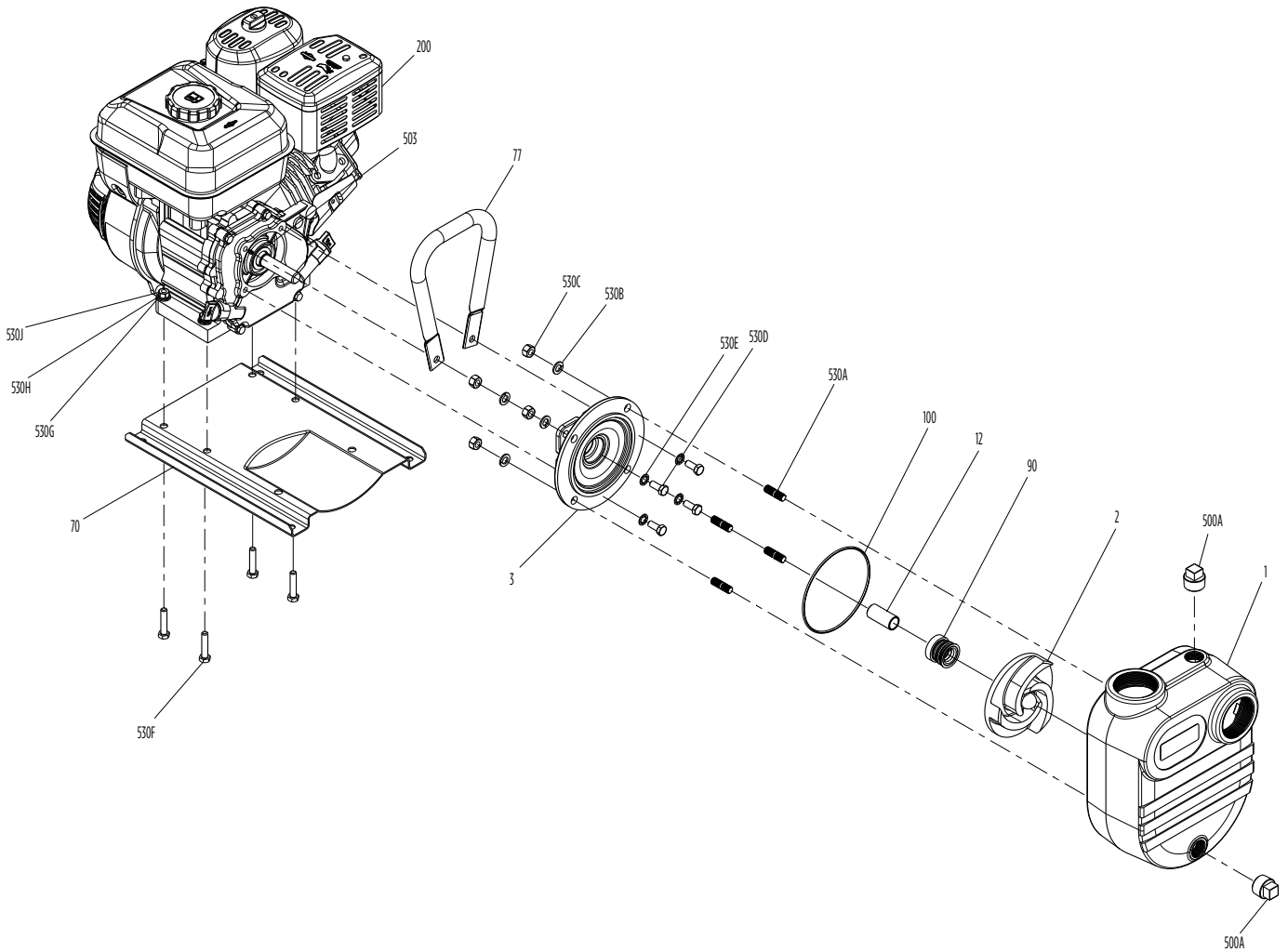
NOTE: Dimensions are for estimating purposes only. All dimensions in inches.

CENTRIFUGAL PUMPS

GAS ENGINE FBSGF



MATERIALS AND PARTS



CENTRIFUGAL PUMPS

GAS ENGINE FBSGF



MATERIALS AND PARTS

Fig. No.	Part Description	Part No.						Materials of Construction
		FBSGF-8	FBSGF-8H	FBSGF-10	FBSGF10H	FBSGF-12	FBSGF-12H	
1	Pump Case	305460033			305460002		Cast iron, ASTM-A48 CL30	
2	Impeller	305460003	305460004			305460005	Cast iron, ASTM-A48 CL30	
3	Motor Adapter	305460006			305460008		Cast iron, ASTM-A48 CL30	
12	Mech Seal Shaft Sleeve	305458010			305458011		416 stainless steel	
70	Base, Engine Frame	305459015			305459016		CRS	
77	Pump Handle	305460009	305460010	305460009	305460021	305460011	CRS	
90	Mechanical Shaft Seal	305463116			305463043		Carbon/Ceramic/FKM/316SS	
100*	O-Ring, Case	305463291			305463296		FKM	
200	Engine	See Engines Below						Misc.
500A	Pipe Plug	305463050						Zinc-plated steel
503	Water Slinger	305460012	305458022			305456009		Neoprene
530A	Stud - Volute (4-Pack)	305463129						Zinc-plated steel
530B	Lockwasher - Volute (8-Pack)	305463135						Zinc-plated steel
530C	Hex Nut - Volute (8-Pack)	305463033						Zinc-plated steel
530D	Hex Bolt - Bracket (4-Pack)	305463128			305463189			Zinc-plated steel
530E	Int. Lockwasher - Bracket (4-Pack)	305463127			305463190			Zinc-plated steel
530F	Hex Bolt - Base (4-Pack)	305463122			305463191	305463122		Zinc-plated steel
530G	Flat Washer-Base (4-Pack)	305463109						Zinc-plated steel
530H	Lockwasher-Base (4-Pack)	305463092						Zinc-plated steel
530J	Hex Nut - Base (4-Pack)	305463062						Zinc-plated steel
Not Shown	Spacer (4-Pack)	n/a			305463192	n/a		Cast iron, ASTM-A48 CL30

*Pre May 2019

Fig. No.	Part Description	Part No.						Materials of Construction
		FBSGF-8	FBSGF-8H	FBSGF-10	FBSGF10H	FBSGF-12	FBSGF-12H	
1	Pump Case	305460001			305460002		Cast iron, ASTM-A48 CL30	
3	Motor Adapter	305460007			305460008		Cast iron, ASTM-A48 CL30	
100	O-Ring, Case	305463125			n/a		EPDM	
100	Gasket, Case	n/a			305463126		Vegetable Fiber	

Replacement Engines		
Model	Engine Description	Part No.
FBSGF-8	ENG B/S 083132-0226-F1127CC	201950
FBSGF-8H	ENG HONDA GX120UT1TX2 118CC	202000
FBSGF-10	ENG B/S 12T432-2119-F8 205CC	201915
FBSGF-10H	ENG HONDA GX160UT1TX2 160CC	202001
FBSGF-12H	ENG HONDA GX270UTPA2 270CC	202002

Replacement Pump Ends			
Pump Size (Dis x Suc)	Model Description	Order No.	Weight
2 x 2	FBSGF-8K	90276008	39
	FBSGF-10K	90276010	35
3 x 3	FBSGF-12K	90276012	50

NOTE: All weight in pounds.

NOTES

GAS ENGINE FBSGF



NOTES

GAS ENGINE FBSGF



